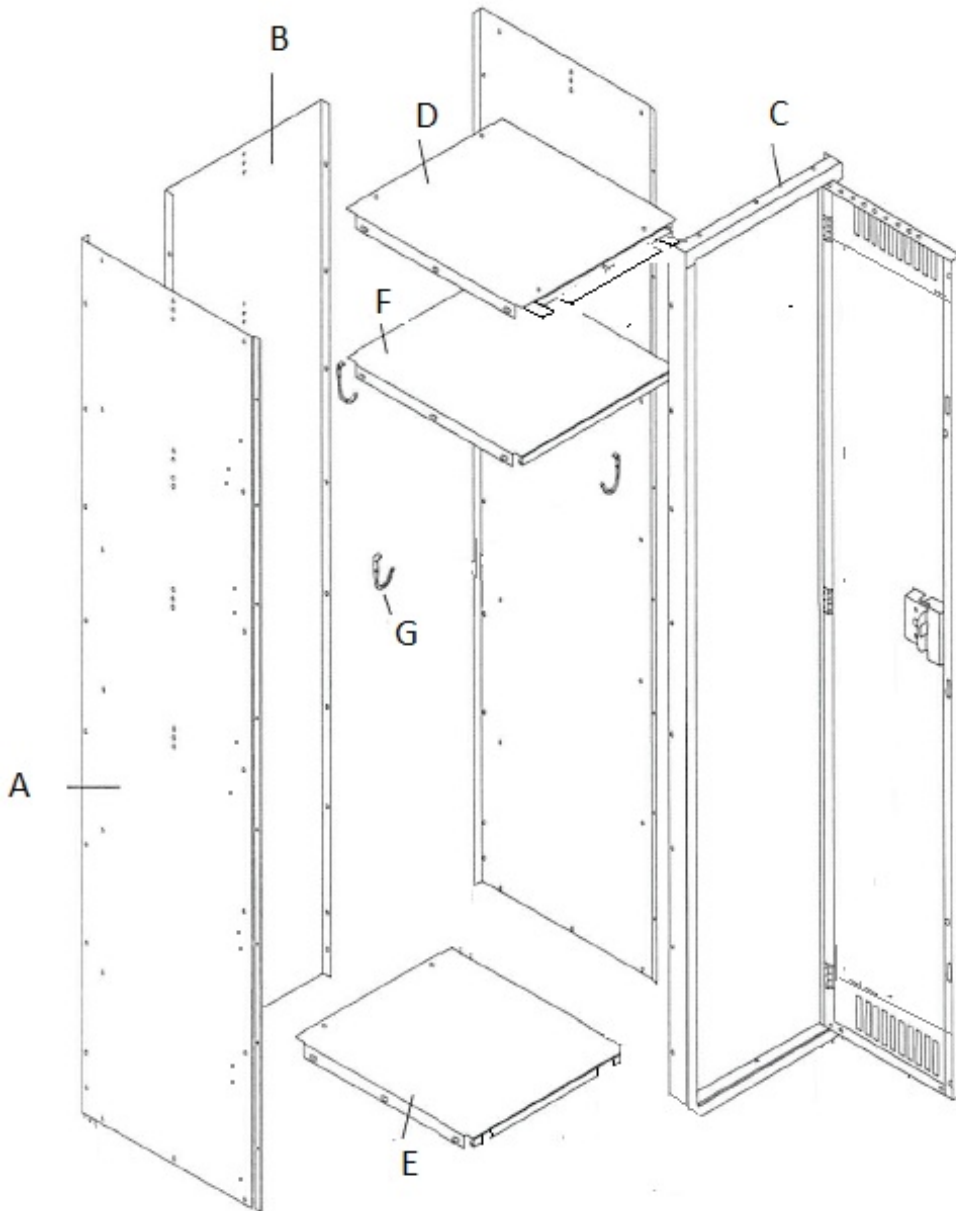

KLETON

Assembly Instructions

Single Tier Lockers - Bank of Two or Three



PARTS LIST



		Bank of 2	Bank of 3
	Description	Qty	Qty
A	Side/Inner Panels	3	4
B	Back Panel	2	3
C	Door/Frame Panel	2	3
D	Top Panel	2	3
E	Bottom Panel	2	3
F	Shelves	2	3

ASSEMBLY INSTRUCTIONS

Figure 1

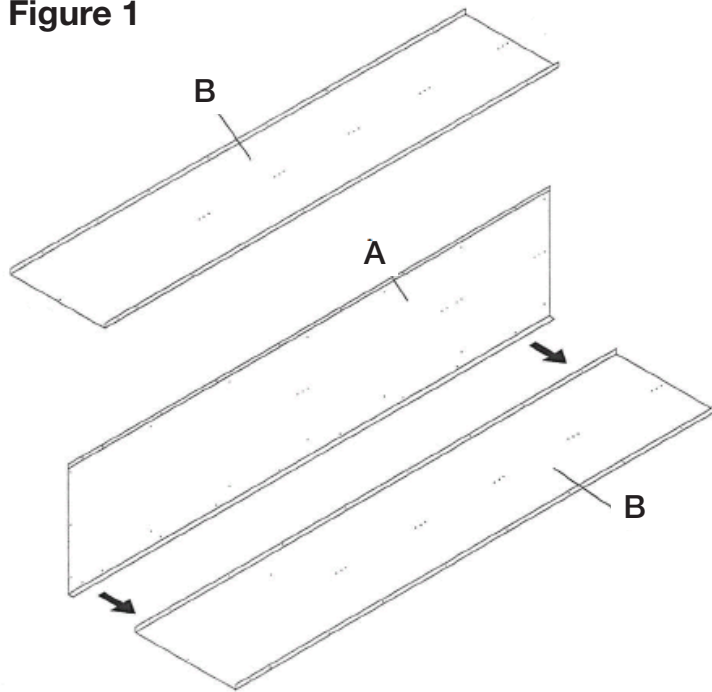
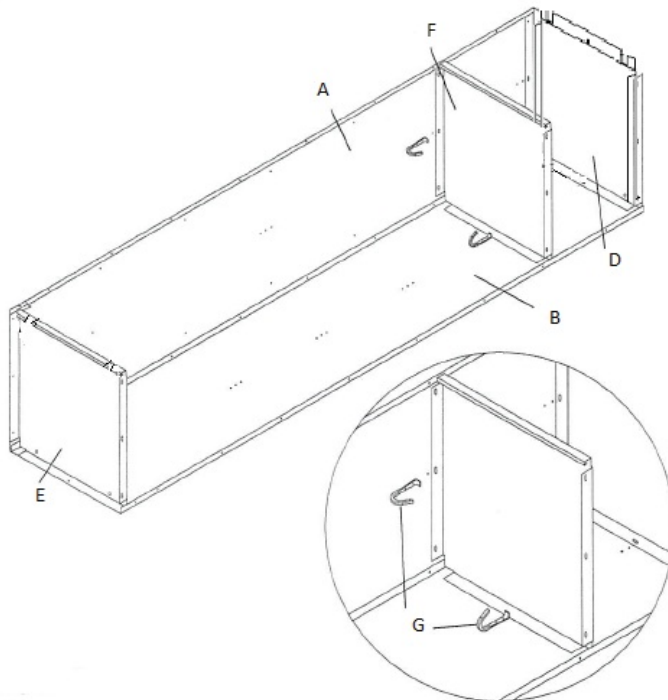


Figure 2



Only tighten bolts with a 3/8" nut driver once the locker is completely assembled.

1. Choose one side panel (A) as the left side, both sides are interchangeable and do not have a determined top and bottom.

2. Place back panel (B) on a flat surface with flanges facing upward. The back panel does not have a determined top and bottom.

3. Bolt the left side panel with the flanges going around the back panel (*Figure 1*). Using 10 nuts and bolts, with the nuts on the inside of the locker.

4. Bolt the top (D) and bottom (E) panels, and the shelf (F) to the left side and back panels. Next, bolt the coat hooks (G) to the left side and back panels (*Figure 2*).

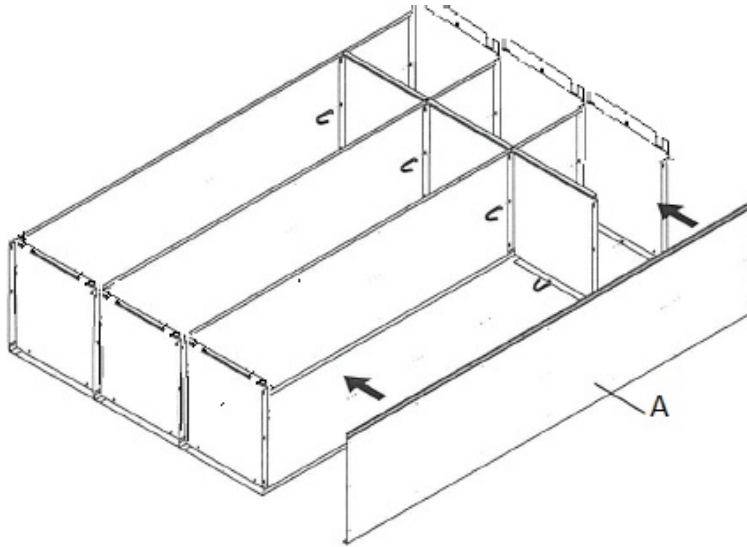
5. Bolt an inner side (A) and back panel to the flange of the first locker.

6. Bolt the top, bottom and shelf to the inner side.

*If assembling a bank of two lockers, proceed to step 7. If assembling a bank of three lockers, repeat steps 4, 5 and 6.

ASSEMBLY INSTRUCTIONS

Figure 3

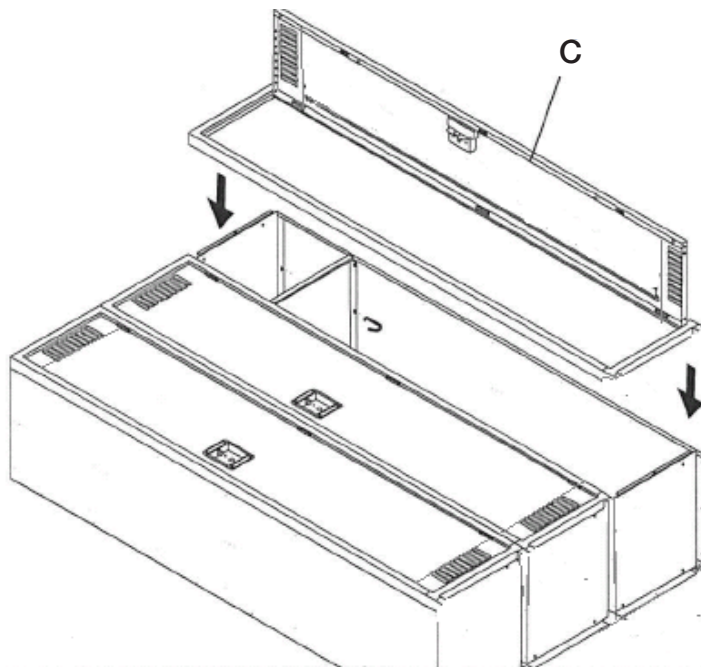


7. Bolt the right side panel (A) with the flanges going around the back panel. Bolt the side to the top, bottom and shelf. Also, bolt the third coat hook to the right side panel (*Figure 3*).

8. Position the door/frame panel (C) on top of the locker. Bolt to the locker body (*Figure 4*).

9. Proceed to tightening each bolt, then standing bank of lockers upright to place in desired location.

Figure 4



*If joining already assembled lockers together, attach units by bolting in the available holes bordering the locker frame.